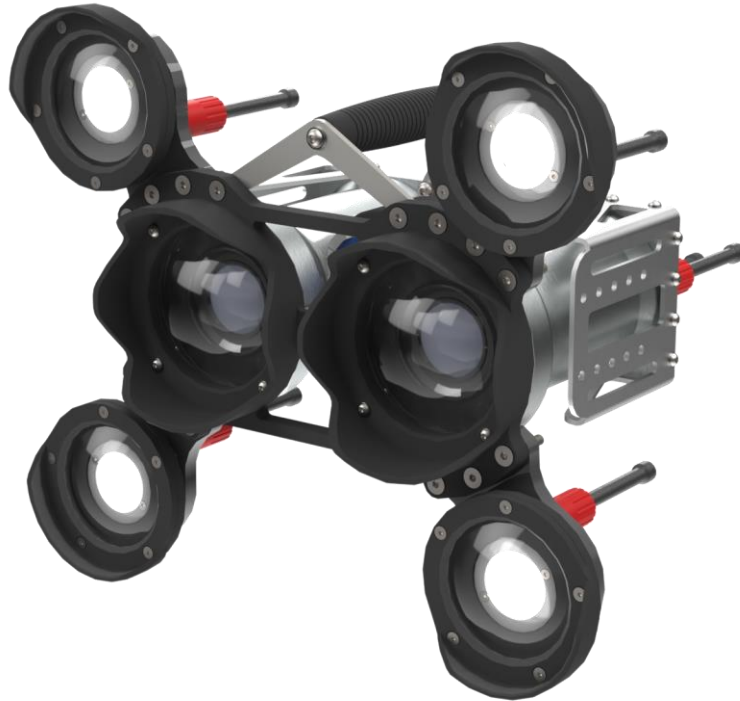


IVM Series – HYDRO 3000

Subsea Photogrammetry - 3D reconstruction



3D Reconstruction Solution for deep waters 3000m rated

- Full solution - acquisition to 3D model
- Submillimetric accuracy
- Real time 3D reconstruction
- Precalibrated
- High turbidity compatible
- Damage assessment
- Chain measurement inspection
- Asset overview
- Decommissioning planning
- Spool metrology
- Seabed inspection
- UXO identification surveys

Reveal the hidden and bring your asset to life

IVM Series – HYDRO 3000

Whether your work involves **mooring chain inspection, spool metrology, asset damage assessment** or general **subsea structures** 3D reconstruction, the **HYDRO 3000** combines the **latest photogrammetric developments** with an **unmatched ease of use** to deliver **high accuracy** 3D models with **no scale bar** on the subject.

With the objective of bringing subsea photogrammetry in reach of everyone, we put a lot of efforts in engineering a **cost effective** and **easy to use** solution while taking no shortcut.

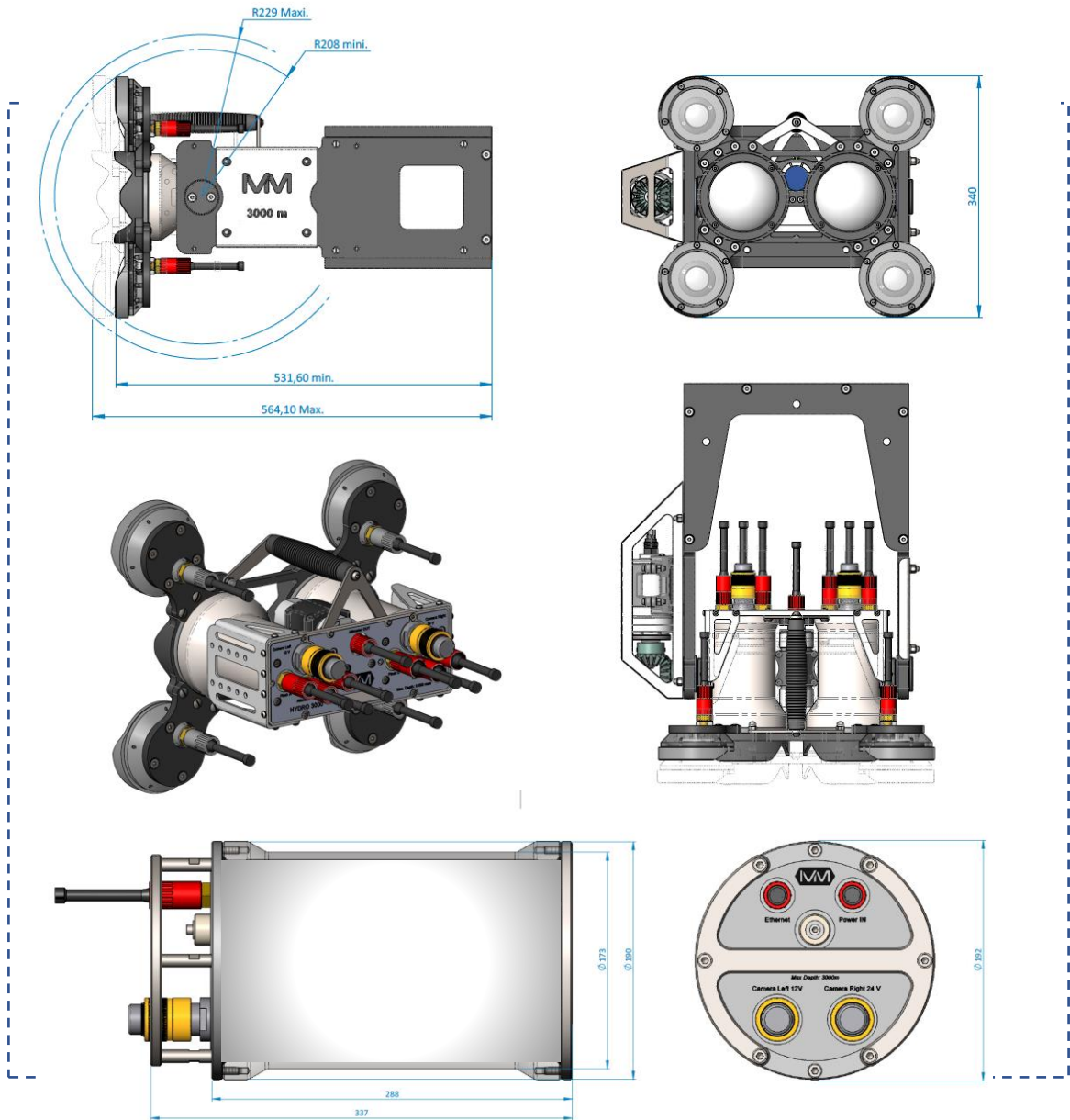
All units from the IVM Series, such as the HYDRO 3000, can be operated by any competent **subsea surveyor**. No longer do you have to hire an “expert” to attain high accuracy models. Delivered with a **preconfigured processing unit**, you can choose to handle internally a complete survey from data acquisition up to the 3D model analysis.

The system is **compact**, and fits all **Work Class as well as light work class ROVs**. With **integrated LED lighting**, the scene is perfectly illuminated to maximise results.

L x W x h mm ACU/EPU	400 x 350 x 300 350 x 190 x 190
Weight air kg ACU/EPU	15 / 15
Weight water kg	5 / 4
Material	Titanium
Power	48VDC 150W
Data	1Gb/s Ethernet
Max depth (m)	3000
ROV	Work and light Work class
Resolution	24M pixel
Field of view (V / H)	63° / 79°
Lighting (Lumen)	75 000
Embedded storage	2Tb



IVM Series – HYDRO 3000



Contact us for more information

Web: www.ivm-technologies.com

address:

IVM Technologies SAS
Impasse paradou Bat A1
13009 Marseille

mail:

contact@ivm-technologies.com