

# IVM Series – HYDRO 1000

Subsea Photogrammetry - 3D reconstruction



## 3D Reconstruction Solution for deep waters 1000m rated

- Full solution - acquisition to 3D model
- Submillimetric accuracy
- Real time 3D reconstruction
- Precalibrated
- High turbidity compatible
- Damage assessment
- Chain measurement inspection
- Asset overview
- Decommissioning planning
- Spool metrology
- Seabed inspection
- UXO identification surveys

**Reveal the hidden and bring your asset to life**

# IVM Series – HYDRO 1000

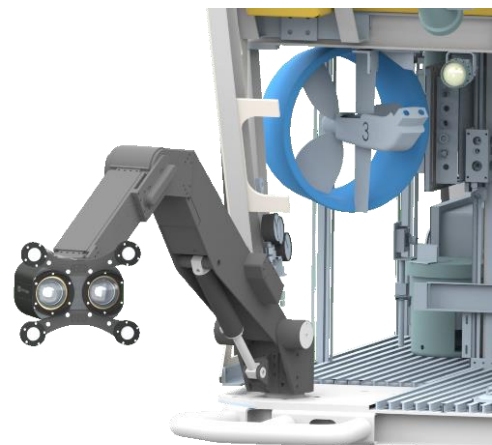
Whether your work involves **mooring chain inspection**, **spool metrology**, **asset damage assessment** or general **subsea structures** 3D reconstruction, the **HYDRO 1000** combines the **latest photogrammetric developments** with an **unmatched ease of use** to deliver **high accuracy** 3D models with **no scale bar** on the subject.

With the objective of bringing subsea photogrammetry in reach of everyone, we put a lot of efforts in engineering a **cost effective** and **easy to use** solution while taking no shortcut.

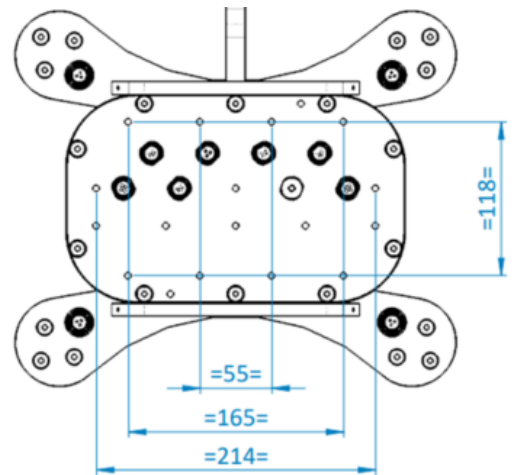
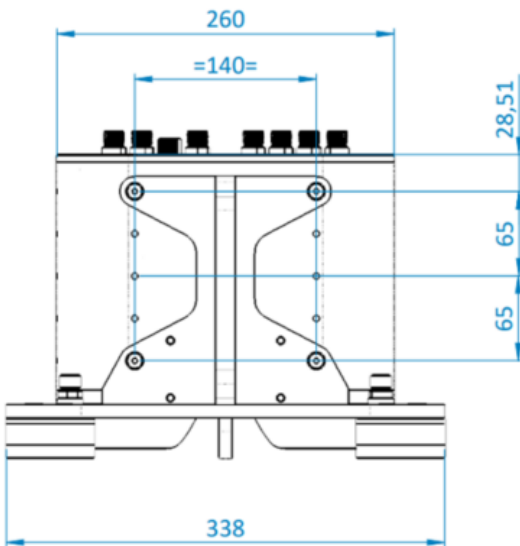
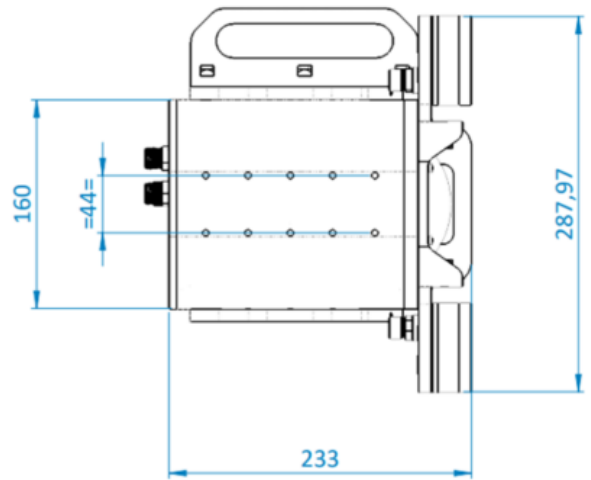
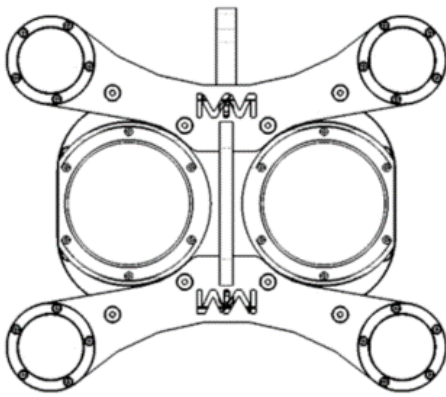
All units from the IVM Series, such as the HYDRO 1000, can be operated by any competent **subsea surveyor**. No longer do you have to hire an “expert” to attain high accuracy models. Delivered with a **preconfigured processing unit**, you can choose to handle internally a complete survey from data acquisition up to the 3D model analysis.

The system is **compact, light-weight** and fits most **ROVs, from Inspection to Work Class**. With **integrated LED lighting**, the scene is perfectly illuminated to maximise results. Due to its size, the HYDRO 1000 **can be hand carried** for rapid response jobs.

L x W x h mm	226 x 338 x 288
Weight air kg	15
Weight water kg	5
Material	Titanium
Power	48VDC 150W
Data	1Gb/s Ethernet
Max depth (m)	300
ROV	All class
Diver compatible	Yes
Resolution	24M pixel
Field of view (V / H)	63° / 79°
Lighting (Lumen)	75 000
Embedded storage	2Tb



## IVM Series – HYDRO 1000



**Contact us for more information**

**Web:** [www.ivm-technologies.com](http://www.ivm-technologies.com)

**adress:**

IVM Technologies SAS  
36 boulevard de l'océan  
13009 Marseille

**mail:**

[contact@ivm-technologies.com](mailto:contact@ivm-technologies.com)