

IVM Series – HYDRO 300

Subsea Photogrammetry - 3D reconstruction



3D Reconstruction Solution for shallow waters 300m rated

- Full solution - acquisition to 3D model
- Submillimetric accuracy
- Real time 3D reconstruction
- Precalibrated
- High turbidity compatible
- Diver kit available
- Damage assessment
- Chain measurement inspection
- Asset overview
- Decommissioning planning
- Spool metrology
- Seabed inspection
- UXO identification surveys

Reveal the hidden and bring your asset to life

IVM Series – HYDRO 300

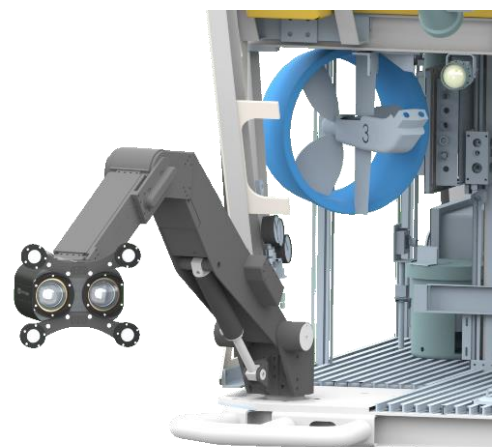
Whether your work involves **mooring chain inspection**, **spool metrology**, **asset damage assessment** or general **subsea structures** 3D reconstruction, the **HYDRO 300** combines the **latest photogrammetric developments** with an **unmatched ease of use** to deliver **high accuracy** 3D models with **no scale bar** on the subject.

With the objective of bringing subsea photogrammetry in reach of everyone, we put a lot of efforts in engineering a **cost effective** and **easy to use** solution while taking no shortcut.

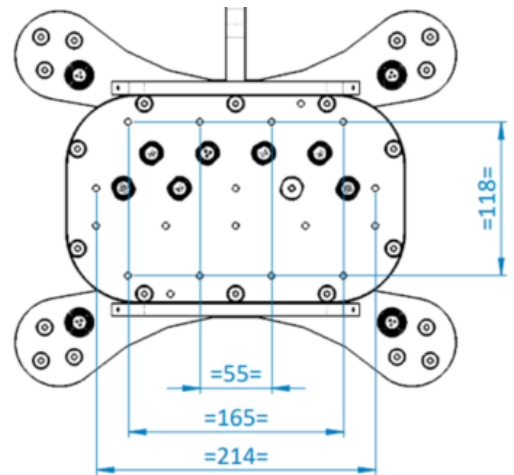
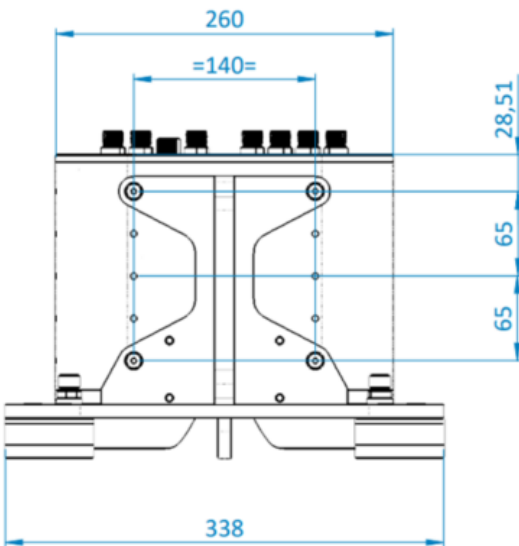
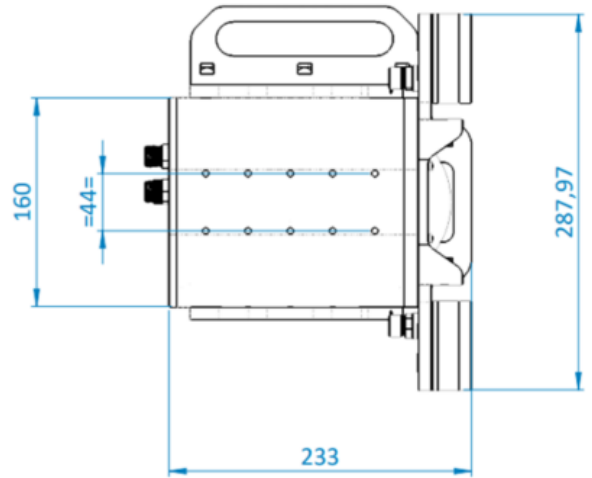
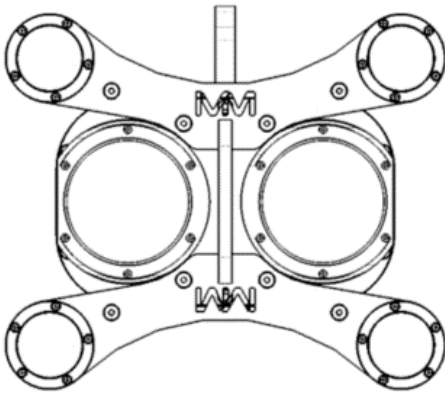
All units from the IVM Series, such as the HYDRO 300, can be operated by any competent **subsea surveyor**. No longer do you have to hire an “expert” to attain high accuracy models. Delivered with a **preconfigured processing unit**, you can choose to handle internally a complete survey from data acquisition up to the 3D model analysis.

The system is **compact, light-weight** and fits all **ROVs, from Observation to Work Class**. A **diver kit** is also available. With **integrated LED lighting**, the scene is perfectly illuminated to maximise results. Due to its size, the HYDRO 300 **can be hand carried** for rapid response jobs.

L x W x h mm	226 x 338 x 288
Weight air kg	11.2
Weight water kg	2.2
Material	Aluminium
Power	48VDC 300W
Data	1Gb/s Ethernet
Max depth (m)	300
ROV	All class
Diver compatible	Yes
Resolution	24M pixel
Field of view (V / H)	63° / 79°
Lighting (Lumen)	75 000
Embedded storage	2Tb



IVM Series – HYDRO 300



Contact us for more information

Web: www.ivm-technologies.com

adress:

IVM Technologies SAS
36 boulevard de l'océan
13009 Marseille

mail:

contact@ivm-technologies.com